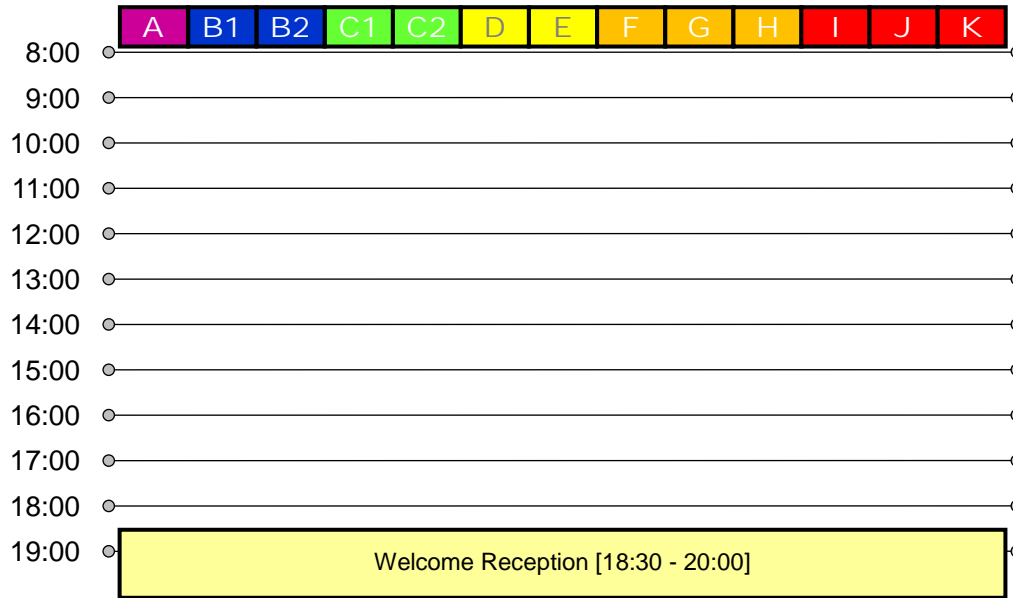
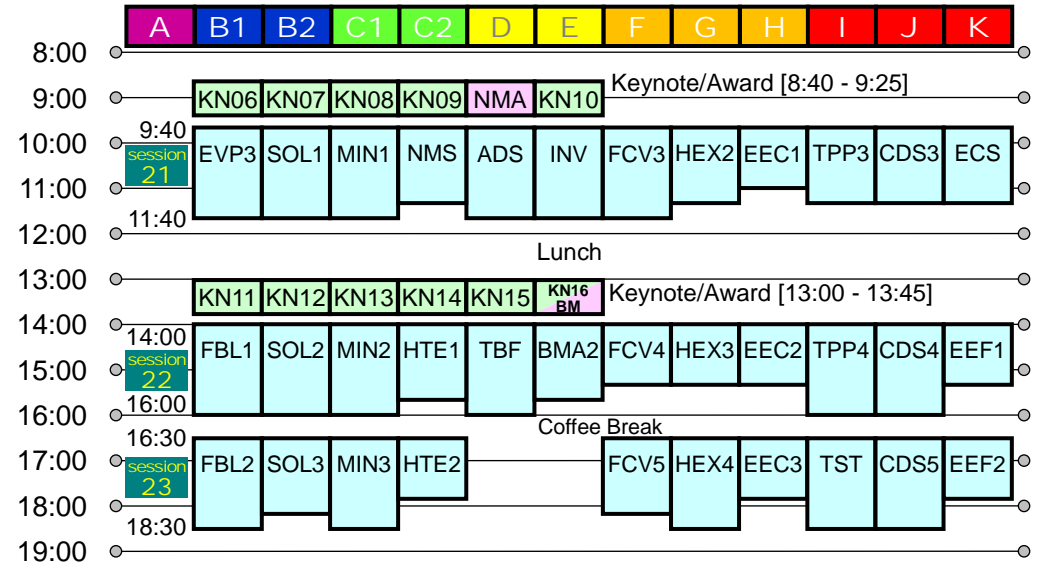


IHTC-15 Schedule at a Glance

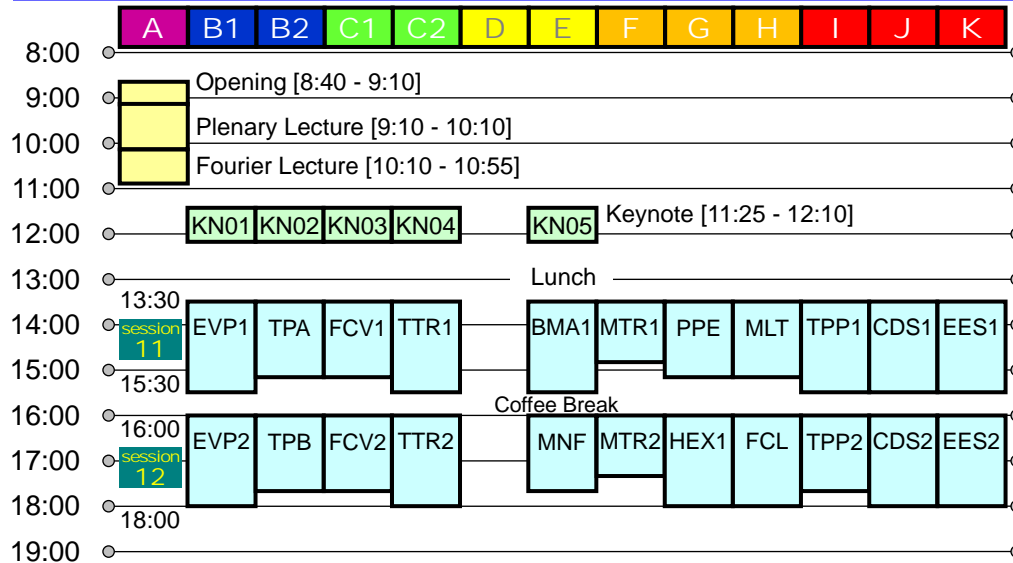
Sunday, 10



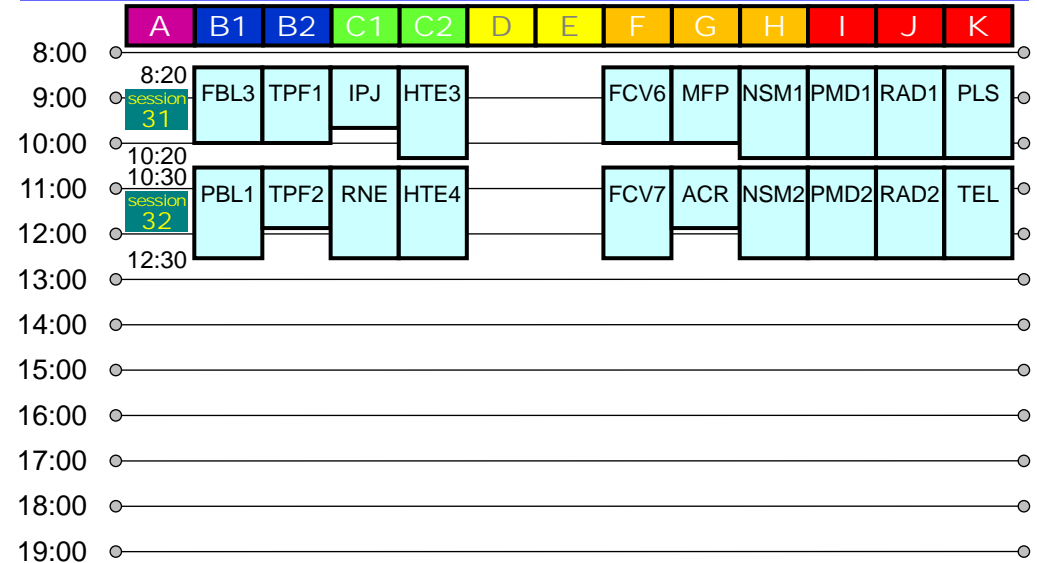
Tuesday, 12



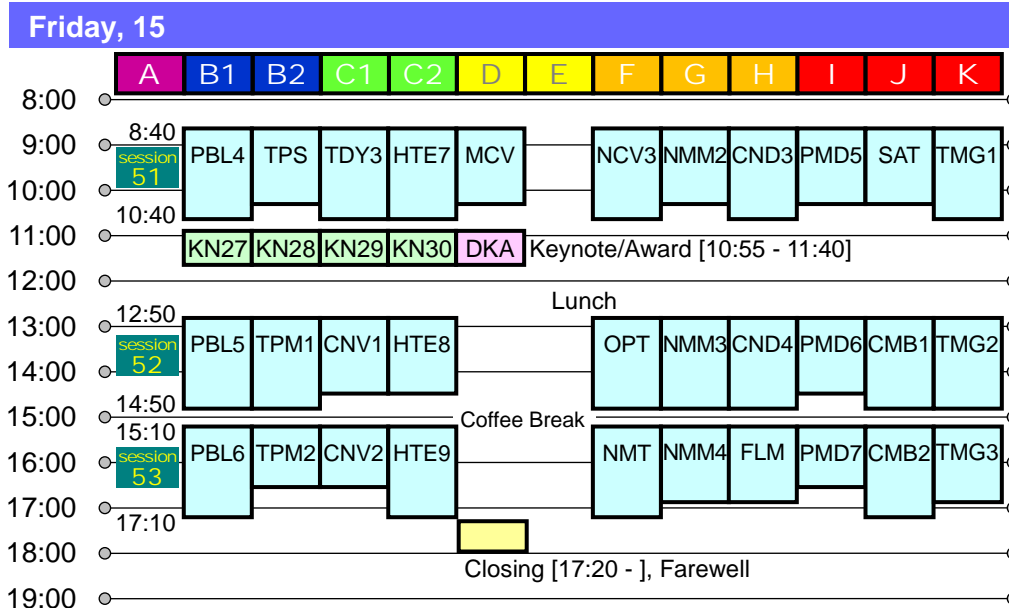
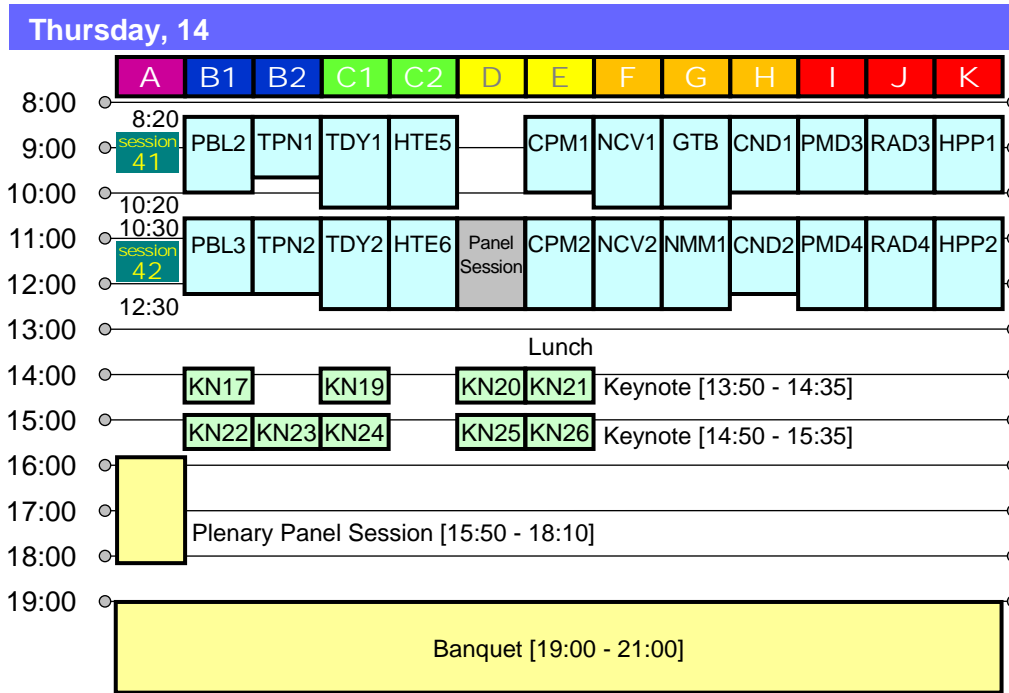
Monday, 11



Wednesday, 13



IHTC-15 Schedule at a Glance



3-letter Codes for General Sessions

ACR	Air Conditioning and Refrigeration (1)
ADS	Adsorption and Desorption (1)
BMA	Bio and Medical Applications (2)
CDS	Condensation (5)
CMB	Combustion (2)
CND	Conduction (4)
CNV	Convection (2)
CPM	Computational Methods (2)
ECS	Energy Conversion and Storage (1)
EEC	Electronic Equipment Cooling (3)
EEF	Energy Efficiency (2)
EES	Energy Environmental Systems (2)
EVP	Evaporation, Droplet/Spray/Liquid Film (3)
FBL	Flow Boiling (3)
FCL	Fuel Cell (1)
FCV	Forced Convection (7)
FLM	Film (1)
GTB	Gas Turbine (1)
HEX	Heat Exchanger (4)
HPP	Heat Pipe (2)
HTE	Heat Transfer Enhancement (9)
INV	Inverse Problems (1)
IPJ	Impinging Jet (1)
MCV	Mixed Convection (1)
MFP	Materials and Foods Processing (1)
MIN	Measurement and Instrumentation (3)
MLT	Molecular Transport (1)
MNF	Manufacturing (1)
MTR	Mass Transfer and Drying (2)
NCV	Natural Convection (3)
NMM	Nano/Micro Scale Measurement and Simulation (4)
NMS	NEMS/MEMS (1)
NMT	New Materials (1)
NSM	Numerical Simulation (2)
OPT	Optimal Control/Theory (1)
PBL	Pool Boiling (6)
PLS	Plasma (1)
PMD	Porous Media (7)
PPE	Photon, Phonon and Electron Transport (1)
RAD	Radiation (4)
RNE	Renewable Energy (1)
SAT	Spray and Atomization (1)
SOL	Solar Energy (3)
TBF	Two-phase, Bubble Flow, Water Film (1)
TDY	Thermodynamics (3)
TEL	Thermoelectric Devices (1)
TMG	Thermal Management (3)
TPA	Two-phase, Application (1)
TPB	Two-phase, Boiling/Condensation (1)
TPF	Two-phase, Flow Behaviour (2)
TPM	Two-phase/Multiphase Flow (2)
TPN	Two-phase, Numerical Simulation (2)
TPP	Thermophysical Properties (4)
TPS	Two-phase, Spray/Droplet (1)
TST	Thermal Storage (1)
TTR	Turbulent Transport (2)